

## 450W Single Output SE Series



- Compact size, high reliability
- Top brand components for key parts
- Built-in EMI filter
- Suitable for both AC and DC input
- Protections: overload/ over voltage/ short circuit
- 3 years limited warranty
- F635A 215×115×50

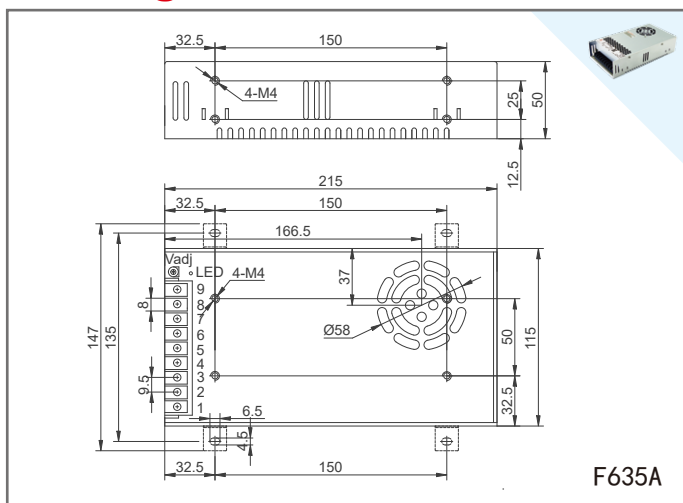
Input voltage range	170~264VAC (240~370VDC)
Input frequency	47~63Hz
Inrush current	< 65A/230VAC, cold start
Input leakage current	< 0.5mA/240VAC
Line regulation (full load)	≤ ± 0.5%
Voltage adjust range	± 10%
Overload protection	105~130%, current limiting, auto recovery
Over voltage protection	115~150%, shut off, re-power on to recover
Withstand voltage	I/P -O/P: 3.0KVAC/1min; I/P-F/G: 2.0KVAC/1min; O/P-F/G: 0.5KVAC/1min
Rise time	< 50ms/230VAC
Hold up time	≥ 12ms/230VAC
Operating temperature	-30℃~+70℃ (refer to the derating curve)
Safety standards	meet UL62368-1, EN IEC62368-1, GB4943.1
Cooling method	fan
Weight & MPQ	0.84kg, 16pcs

CE (LVD)

Model	DC Output		Load regul.	R&N	Efficiency
HF450W-SE-12	12V	37.5A	0.5%	150mV	86%
HF450W-SE-15	15V	30.0A	0.5%	150mV	87%
HF450W-SE-24	24V	19.0A	0.5%	240mV	87%
HF450W-SE-36	36V	13.0A	0.5%	240mV	88%
HF450W-SE-48	48V	9.5A	0.5%	240mV	88%

\*Other output voltage also available, please send inquiry

## Drawing



F635A